

# Economical ball torque limiter

(Safety coupling)

Torque up to 100,000 Nm, opening 320mm

## BMK



**BMOOM**  
Torque Limiter

Shanghai Bmoom Electromechanical Co.,ltd  
上海宝牧机电设备有限公司

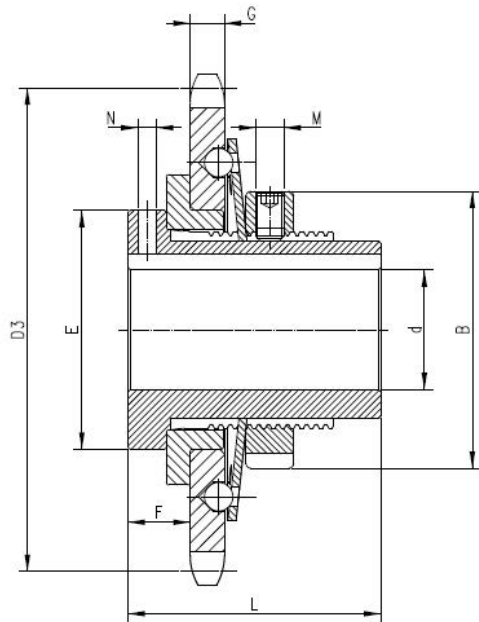
# BMK-Economic ball form: technical parameters



- Ball structure.
- Adjusting the torque through the scale label, the operation is very simple.
- Large torque adjustment range.
- Cost-effective.
- Can be equipped with sprocket coupling/T.
- This model is suitable for use in working conditions that do not require signal output, but require relatively high torque stability.

### ... /BMK : Standard structure

- . The sprocket can be replaced on the basis of the standard.
- . Special anti-rust and anti-corrosion treatment can be carried out on request.
- . It can be connected with expansion sleeve or other locking devices upon request.
- . Such a structure requires larger specifications, please contact our company.



### Technical details

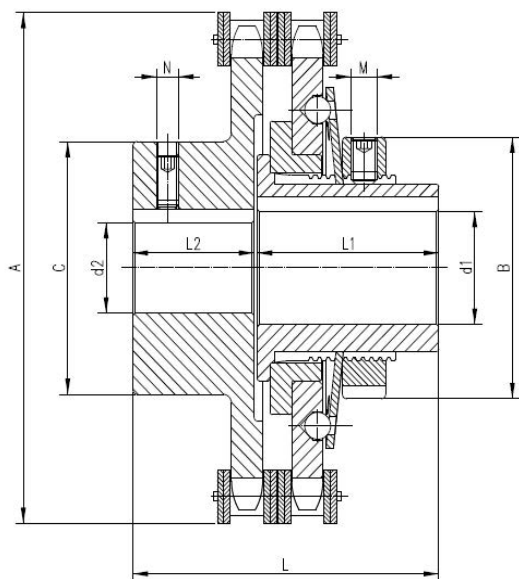
model	Torque ( Nm )		Sprocket	Rotating speed (Rpm)	weight (Kg)
	T1	T2			
BMK	35-130	90-280	08B Z25	2000	1.3

### Dimensions

model	B	dH7	D3	E	F	G	L	M	N
		maximum							
BMK	58	25	101.33	50	13	7.2	53	M4	M6

### ... /BMK/T : Coupling with sprocket

- . The sprocket coupling can be replaced with other structure couplings upon request.
- . Special anti-rust and anti-corrosion treatment can be carried out on request.
- . It can be connected with expansion sleeve or other locking devices upon request.
- . Such a structure requires larger specifications, please contact our company.



### Technical details

model	Torque ( Nm )		Sprocket	Rotating speed (Rpm)	wright (Kg)
	T1	T2			
BMK/T	35-130	90-280	08B Z25	2000	1.3

### Dimensions

model	A	B	C	d1H7	d2H7	L	L1	L2	M	N
				maximum	maximum					
BMK/T	114	58	56	25	30	71	42	28	M5	M6